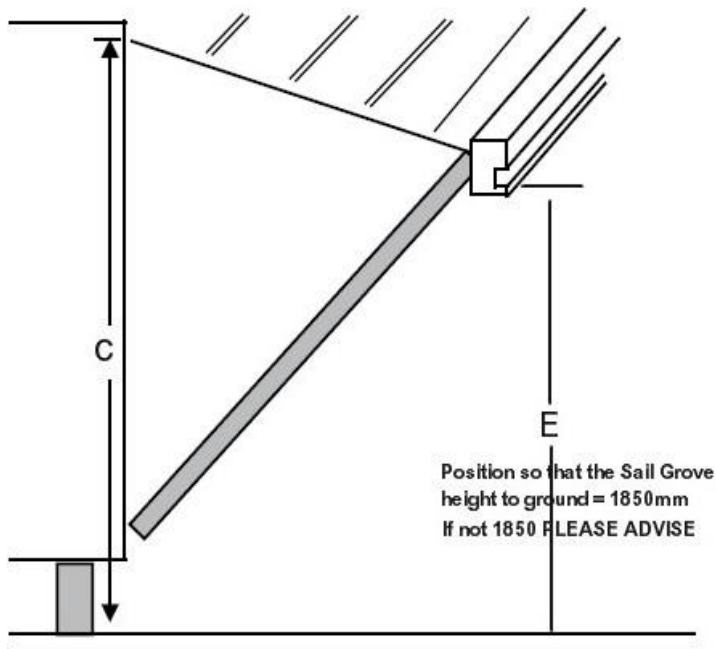


# Sunbuster End Panel order form for Box Awning

Order date	Sales Person	
Date Req		
<b>Dealers Details</b>		
Address	P/C	
Ph	Fax	Contact
<b>Customers Name</b>		
Address	P/C	
Ph	Fax	Mob
RV Brand		



<b>Awning brand:</b>	
<b>Sunbuster Colour Required:</b>	
Awning Model Number	
Awning Vinyl Length	
Awning Projection	
C. Wall height from ground to fabric measured at axle	<b>C.</b>
E. Height from ground to sailtrack on Longwall Set at 1850mm	<b>E.</b>

NB> With the Awning erected to the above measurements please ensure that the door of RV is free to open, and there is sufficient slope for water to run off. If not adjust as spec above, advise the required adjusted height



Distance from awning vinyl to front of van body:



[www.sunbuster.net.au](http://www.sunbuster.net.au)

[www.sunbustershades.com.au](http://www.sunbustershades.com.au)

Ph: 1800 472 665

Mob: 0429 846 628