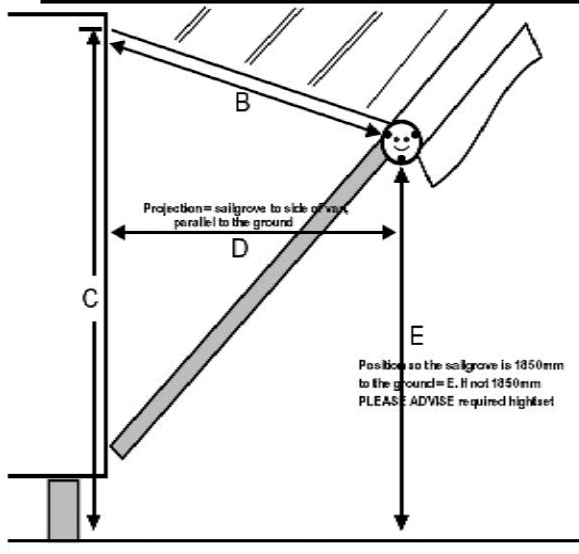


Sunbuster End Panel order form for Roll Out Awning

Order date	Sales Person	
Date Req		
Dealers Details		
Address	P/C	
Ph	Fax	Contact
Customers Name		
Address	P/C	
Ph	Fax	Mob
RV Brand		

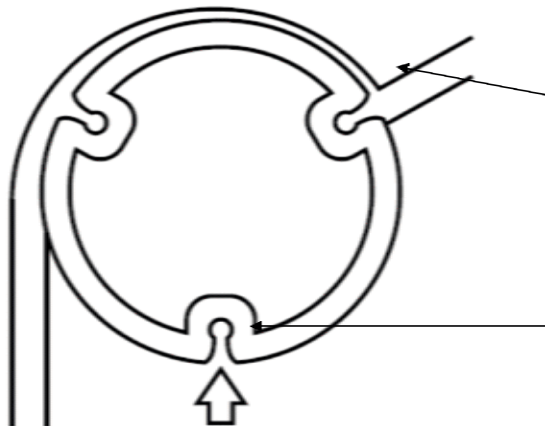


Sunbuster Colour Required

A. Awning fabric length at Roller	A.
B. Vinyl fabric length from side of van/pop top surround to roller sailgrove	B.
C. Back wall height, sailtrack to ground, measured over the wheels/axle	C.
D. Wall projection, measured from sidewall to roller sailgrove	D.
E. Longwall height, sailgrove to ground set at 1850mm. Advise height if not so	E.

NB> With the Awning erected to the above measurements please ensure that the door of RV is free to open, and there is sufficient slope for water to run off. If not adjust as spec above, advise the required adjusted height

NOTES AND OTHER BENEFICIAL INFO:-



Note the valley in the vinyl roof to catch rainwater. Refer to ROA manufacturers recommendations

Empty groove at 6 o'clock, facing the pavement



www.sunbustershades.com.au

Ph: 1800 472 665

Mob: 0429 846 628