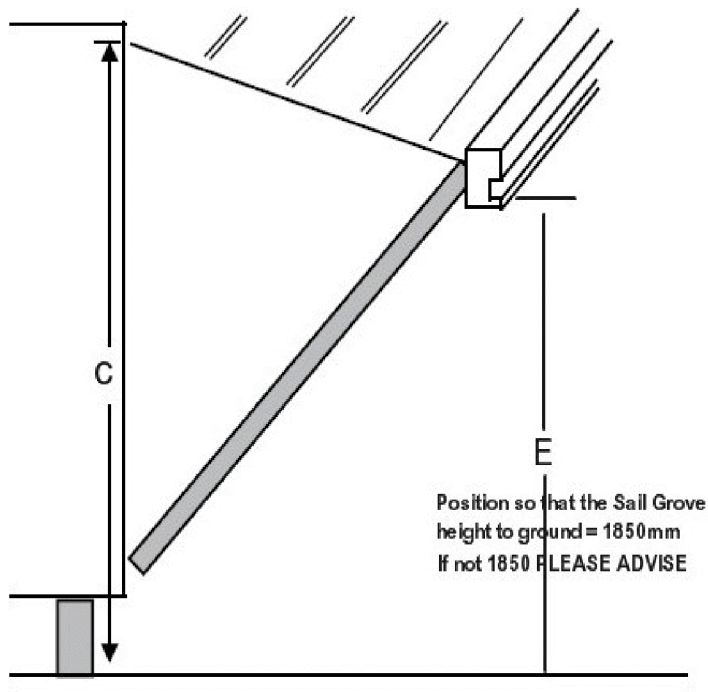


Sun Buster End Panel order form for Box Awning

Order date	Sales Person		
Date Req			
Dealers Details			
Address	P/C		
Ph	Fax	Contact	
Customers Name			
Address	P/C		
Ph	Fax	Mob	
RV Brand			



Sun Buster Colour Required:

Awning Model Number	
C. Wall height from ground to fabric measured at axle	C.
E. Height from ground to sailtrack on Longwall Set at 1850mm	E. 1850mm

NB> With the Awning erected to the above measurements please ensure that the door of RV is free to open, and there is sufficient slope for water to run off. If not adjust as spec above, advise the required adjusted height



Ph: 1800 472 665
Mob: 0429 846 628

